



中国认可
国际互认
检测
TESTING
CNAS L0446



Page 1 of 44

Test Report

Verified code: 515428

Report No.: E20211222698901-2

Customer: Lumi United Technology Co., Ltd.

Address: Room 801-804, Building 1, Chongwen Park, Nanshan iPark, No.3370, Liuxian Avenue, Fuguang Community, Taoyuan Residential District, Nanshan District, Shenzhen, China

Sample Name: Motion Sensor P1

Sample Model: MS-S02

Receive Sample Date: Dec.24,2021

Test Date: Dec.27,2021 ~ Jan.10,2022

Reference Document: ETSI EN 300 328 V2.2.2 (2019-07) Wideband transmission systems; Data transmission equipment operating in the 2,4 GHz band; Harmonised Standard for access to radio spectrum

Test Result: Pass

Prepared By: Yang Zhaoyun

Reviewed By: Jiang Tao

Approved By: Xiao Liang

GUANGZHOU GRG METROLOGY & TEST CO., LTD

Issued Date: 2022-01-20

Guangzhou GRG Metrology & Test Co., Ltd.

Address: No.163, Pingyun Road, West of Huangpu Avenue, Guangzhou, Guangdong, China
Tel: (+86) 400-602-0999 FAX: (+86) 020-38698685 Web: <http://www.grgtest.com>



Statement

1. The report is invalid without "special seal for inspection and testing"; some copies are invalid; The report is invalid if it is altered or missing; The report is invalid without the signature of the person who prepared, reviewed and approved it.
2. The sample information is provided by the client and responsible for its authenticity; The content of the report is only valid for the samples sent this time.
3. When there are reports in both Chinese and English, the Chinese version will prevail when the language problems are inconsistent.
4. If there is any objection concerning the report, please inform us within 15 days from the date of receiving the report.
5. Without the agreement of the laboratory, the client is not authorized to use the test results for unapproved propaganda.

----- The following blanks -----

Table of Contents

1.	TEST RESULT SUMMARY.....	5
2.	GENERAL DESCRIPTION OF EUT.....	6
2.1	APPLICANT INFORMATION	6
2.2	MANUFACTURER.....	6
2.3	BASIC DESCRIPTION OF EUT	6
2.4	TEST MODE.....	6
2.5	DESCRIPTION OF ADAPTIVE EQUIPMENT	7
3.	LABORATORY.....	8
4.	ACCREDITATIONS	8
5.	MEASUREMENTS UNCERTAINTY	8
6.	EQUIPMENT AND TOOLS USED DURING TEST	9
6.1	TEST EQUIPMENT AND TOOLS.....	9
6.2	LOCAL SUPPORTIVE INSTRUMENTS.....	10
6.3	CONFIGURATION OF SYSTEM UNDER TEST	10
6.4	TEST SOFTWARE.....	10
7.	RADIO TECHNICAL REQUIREMENT SPECIFICATION.....	11
7.1	RF OUTPUT POWER	11
7.1.1	LIMIT.....	11
7.1.2	TEST CONFIGURATION.....	11
7.1.3	TEST PROCEDURES	11
7.1.4	TEST RESULTS	12
7.2	POWER SPECTRAL DENSITY	13
7.2.1	LIMIT.....	13
7.2.2	TEST CONFIGURATION.....	13
7.2.3	TEST PROCEDURES	13
7.2.4	TEST RESULTS	14
7.2.5	TEST SCREENSHOTS.....	14
7.3	OCCUPIED CHANNEL BANDWIDTH	15
7.3.1	LIMIT.....	15
7.3.2	TEST CONFIGURATION.....	15
7.3.3	TEST PROCEDURES	15
7.3.4	TEST RESULTS	16
7.3.5	TEST SCREENSHOTS.....	16
7.4	TRANSMITTER UNWANTED EMISSIONS IN THE OUT-OF-BAND DOMAIN.....	17
7.4.1	LIMIT.....	17
7.4.2	TEST CONFIGURATION.....	17
7.4.3	TEST PROCEDURES	17
7.4.4	TEST RESULTS	18
7.4.5	TEST SCREENSHOTS.....	19
7.5	TRANSMITTER UNWANTED EMISSIONS IN THE SPURIOUS DOMAIN.....	20
7.5.1	LIMIT.....	20

7.5.2	TEST CONFIGURATION.....	21
7.5.3	TEST PROCEDURES	22
7.5.4	DATA SAMPLE	22
7.5.5	TEST RESULTS	23
7.6	RECEIVER SPURIOUS EMISSIONS	29
7.6.1	LIMIT.....	29
7.6.2	TEST CONFIGURATION.....	29
7.6.3	TEST PROCEDURES	30
7.6.4	DATA SAMPLE	31
7.6.5	TEST RESULTS	32
7.7	RECEIVER BLOCKING.....	38
7.7.1	LIMIT.....	38
7.7.2	TEST CONFIGURATION.....	40
7.7.3	TEST PROCEDURES	40
7.7.4	TEST RESULTS	42
APPENDIX A. PHOTOGRAPH OF THE TEST CONNECTION DIAGRAM		43
APPENDIX B. PHOTOGRAPH OF THE EUT		44

----- The following blanks -----

1. TEST RESULT SUMMARY

Test Item	Test mode	Test Requirement	Test Method	Class / Severity	Test Result
1. Transmitter Part					
RF Output Power	TX mode	EN300 328 V2.2.2/ 4.3.2.2	EN300 328 V2.2.2/5.4.2.2.1	Meet requirements: EN300 328 V2.2.2/ 4.3.2.2	PASS
Power Spectral Density	TX mode	EN300 328 V2.2.2/4.3.2.3	EN300 328 V2.2.2/5.4.3.2.1	Meet requirements: EN300 328 V2.2.2/4.3.2.3	PASS
Duty Cycle, Tx-sequence, Tx-gap	TX mode	EN300 328 V2.2.2/4.3.2.4	EN300 328 V2.2.2/5.4.2.2.1	Meet requirements: EN300 328 V2.2.2/4.3.2.4	N/A ¹⁾
Medium Utilisation (MU) factor	TX mode	EN300 328 V2.2.2/ 4.3.2.5	EN300 328 V2.2.2/5.4.2.2	Meet requirements: EN300 328 V2.2.2/ 4.3.2.5	N/A ¹⁾
Adaptivity	TX mode	EN300 328 V2.2.2/ 4.3.2.6	EN300 328 V2.2.2/5.4.6.2.1	Meet requirements: EN300 328 V2.2.2/ 4.3.2.6	N/A ¹⁾
Occupied Channel Bandwidth	TX mode	EN300 328 V2.2.2/ 4.3.2.7	EN300 328 V2.2.2/5.4.7.2.1	Meet requirements: EN300 328 V2.2.2/ 4.3.2.7	PASS
Transmitter unwanted emissions in the out-of-band domain	TX mode	EN300 328 V2.2.2/ 4.3.2.8	EN300 328 V2.2.2/5.4.8.2.1	Meet requirements: EN300 328 V2.2.2/ 4.3.2.8	PASS
Transmitter unwanted emissions in the spurious domain	TX mode	EN300 328 V2.2.2/ 4.3.2.9	EN300 328 V2.2.2/5.4.9.2.2	Meet requirements: EN300 328 V2.2.2/ 4.3.2.9	PASS
2. Receiver Part					
Receiver spurious emissions	RX mode	EN300 328 V2.2.2/ 4.3.2.10	EN300 328 V2.2.2/5.4.10.2.2	Meet requirements: EN300 328 V2.2.2/ 4.3.2.10	PASS
Receiver Blocking	RX mode	EN300 328 V2.2.2/ 4.3.2.11	EN300 328 V2.2.2/5.4.11.2.1	Meet requirements: EN300 328 V2.2.2/ 4.3.2.11	PASS

Note:

1. This item does not apply for equipment with a declared RF Output power level of less than 10 dBm e.i.r.p. or for equipment when operating in a mode where the RF Output power is less than 10 dBm e.i.r.p, but the EUT power is less than 10dBm, so it is not applied.

2. GENERAL DESCRIPTION OF EUT

2.1 APPLICANT INFORMATION

Name: Lumi United Technology Co., Ltd.
Address: Room 801-804, Building 1, Chongwen Park, Nanshan iPark, No.3370,
Liuxian Avenue, Fuguang Community, Taoyuan Residential District, Nanshan
District, Shenzhen, China

2.2 MANUFACTURER

Name: Lumi United Technology Co., Ltd.
Address: Room 801-804, Building 1, Chongwen Park, Nanshan iPark, No.3370,
Liuxian Avenue, Fuguang Community, Taoyuan Residential District, Nanshan
District, Shenzhen, China

2.3 BASIC DESCRIPTION OF EUT

Product Name: Motion Sensor P1
Product Model: MS-S02
Adding Model: /
Trade Name: Aqara
Power Supply: Button batteries: CR2450 DC 3V, 3mA
Frequency Band: 2405MHz-2480MHz
Modulation Type: OQPSK
Antenna Specification: Internal antenna 0.5dBi gain (Max.)
Sample submitting way: Provided by customer Sampling
Sample No: E20211222698901-0001, E20211222698901-0005
Temperature Range: -10 °C ~ 55 °C
Hardware Version: X3
Software Version: 0.0.0_0005
Note: /

2.4 TEST MODE

Test mode 1: Zigbee Transmit mode
Test mode 2: Zigbee Receive mode

2.5 DESCRIPTION OF ADAPTIVE EQUIPMENT

The type of the equipment	<input type="checkbox"/> FHSS	<input checked="" type="checkbox"/> Non-FHSS	<input type="checkbox"/> other forms of modulation	
Adaptive / non-adaptive equipment	<input checked="" type="checkbox"/> Non-adaptive Equipment	<input type="checkbox"/> adaptive Equipment without the possibility to switch to a non-adaptive mode	<input type="checkbox"/> adaptive Equipment which can also operate in a non-adaptive mode	
The equipment has an implemented	<input type="checkbox"/> Frame Based equipment	<input checked="" type="checkbox"/> Load Based equipment	<input type="checkbox"/> non-LBT based DAA mechanism	<input type="checkbox"/> other
Device Class	<input type="checkbox"/> Wi-Fi	<input type="checkbox"/> Bluetooth Low Energy	<input type="checkbox"/> Bluetooth EDR/BR	<input type="checkbox"/> BT 5.2
Wi-Fi Channel Bandwidth	<input type="checkbox"/> 20MHz	<input type="checkbox"/> 40MHz	<input type="checkbox"/> 80MHz	<input type="checkbox"/> 160MHz
Antenna Gain	<input checked="" type="checkbox"/> Antenna1 0.5dBi	<input type="checkbox"/> Antenna 2 dBi	<input type="checkbox"/> Antenna 3 dBi	<input type="checkbox"/> Antenna 4 dBi
Beamforming Gain	<input type="checkbox"/> Yes, dBi	<input checked="" type="checkbox"/> No		
Extreme operating conditions	<input checked="" type="checkbox"/> Operating temperature range:	<input checked="" type="checkbox"/> Min -10°C	<input checked="" type="checkbox"/> Max 55°C	
Blocking	<input checked="" type="checkbox"/> PER	<input type="checkbox"/> The manufacturer may declare alternative performance criteria		
Geo-location capability supported by the equipment	<input type="checkbox"/> Yes	<input checked="" type="checkbox"/> No		

The maximum RF output power is 9.02dBm, so the EUT is Receiver Category 2 equipment.

----- The following blanks -----

3. LABORATORY

The tests & measurements refer to this report were performed by Shenzhen EMC Laboratory of Guangzhou GRG Metrology & Test Co., Ltd.

Add : No.1301 Guangguang Road Xinlan Community, Guanlan Street, Longhua District
Shenzhen, 518110, People's Republic of China

P.C. : 518000

Tel : 0755-61180001

Fax : 0755-61180001

4. ACCREDITATIONS

Our laboratories are accredited and approved by the following approval agencies according to ISO/IEC 17025.

USA A2LA(Certificate#:2861.01)

China CNAS(L0446)

The measuring facility of laboratories has been authorized or registered by the following approval agencies.

Canada ISED (Company Number: 24897, CAB identifier:CN0069)

USA FCC (Registration Number: 759402, Designation Number:CN1198)

Copies of granted accreditation certificates are available for downloading from our web site,
<http://www.grgtest.com>

5. MEASUREMENTS UNCERTAINTY

Where relevant, the following measurement uncertainty levels have been estimated for tests performed on the EUT as specified in ETSI EN TR 100 028-1 (i.15) and ETSI EN 100 028-2 (i 8):

Measurement		Frequency	Uncertainty
Radiated Emission	Horizontal	30MHz~1000MHz	4.3dB
		1GHz~18GHz	5.6dB
	Vertical	30MHz~1000MHz	4.3dB
		1GHz~18GHz	5.6dB

Measurement	Uncertainty
RF frequency	6.0×10^{-6}
RF power conducted	0.78 dB
Occupied channel bandwidth	0.4 dB
Unwanted emission, conducted	0.68 dB
Humidity	6 %
Temperature	2°C

This uncertainty represents an expanded uncertainty factor of k=2.

6. EQUIPMENT AND TOOLS USED DURING TEST

6.1 TEST EQUIPMENT AND TOOLS

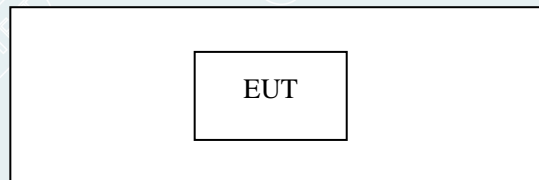
Name of Equipment	Manufacturer	Model	Serial Number	Calibration Due
Maximum transmit power & Maximum e.i.r.p. spectral density & occupied channel bandwidth & Transmitter unwanted emissions in the out-of-band domain				
Simultaneous sampling DAQ	TONSCEND	JS0806-2	186060020	2022-09-04
Pulse power sensor	TONSCEND	u2021A	I00641	2022-09-04
Spectrum Analyzer	Agilent	N9020A	MY50510140	2022-11-08
Signal Generator	Anritsu	MG3694A	#050125	2022-04-23
Temperature & humidity chamber	HOSON	HS01060SDF	201013401	2022-09-02
BT/Wi-Fi System	TONSCEND	JS1120-3		
Transmitter unwanted emissions in the spurious domain & Receiver spurious emissions				
EXA signal analyzer	Agilent	N9020B	MY57120179	2022-08-08
Bi-log Antenna	Schwarzbeck	VULB9163	01279	2022-02-25
Horn Antenna	Schwarzbeck	BBHA9120D (1201)	02143	2022-10-22
Amplifier	tonscend	TAP9E6343	AP20E806065	2022-06-03
Amplifier	tonscend	TAP01018048	AP20E8060075	2022-05-09
Test software	Tonscend	JS36-RSE/2.5.1.5		
Receiver Blocking				
Signal Generator	Anritsu	MG3694A	#050125	2022-04-23
BT/Wi-Fi System	Tonscend	JS1120-3		

6.2 LOCAL SUPPORTIVE INSTRUMENTS

Name of Equipment	Manufacturer	Model	Serial Number	Note
Notebook	LENOVO	TianYi 310-14ISK	MP18DLC6	/
/	/	/	/	/
Cable				
/	/	/	/	/

Note :The notebook is just used to produce fixed frequency transmitting.

6.3 CONFIGURATION OF SYSTEM UNDER TEST



6.4 TEST SOFTWARE

Software version	Test level
QCOM_V1.0	default

----- The following blanks -----

7. RADIO TECHNICAL REQUIREMENT SPECIFICATION

7.1 RF OUTPUT POWER

Test Requirement: EN300 328 V2.2.2

Test Method: EN300 328 V2.2.2

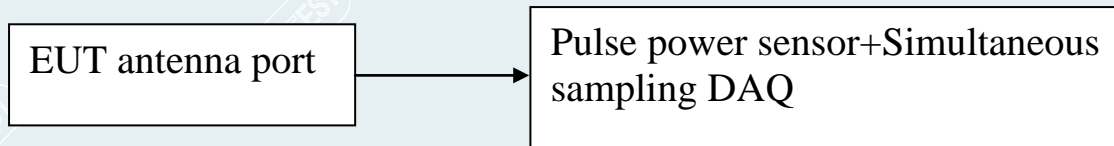
7.1.1 LIMIT

For adaptive equipment, the maximum RF output power shall be 20 dBm.

The maximum RF output power for non-adaptive equipment shall be declared by the manufacturer and shall not exceed 20 dBm. See clause 5.4.1 m). For non-adaptive equipment, the maximum RF output power shall be equal to or less than the value declared by the manufacturer.

This limit shall apply for any combination of power level and intended antenna assembly.

7.1.2 TEST CONFIGURATION



7.1.3 TEST PROCEDURES

Test procedure: Test procedure is according to Clause 5.4.2.2.1 of EN 300 328 V2.2.2

Test channel: 2405MHz,2440MHz and 2480MHz for Zigbee

Test condition: Normal and extreme test conditions.

Test condition	Temperature(°C)
Normal condition	23.1 °C
Extreme condition	Minimum Temperature: -10 °C
	Maximum Temperature:+55 °C

7.1.4 TEST RESULTS

Test Date (yy-mm-dd): 2022-01-10
 Test Engineer: Lu Wei
 Test environment: Normal condition: Temp: 23.1°C, Humid:49%
 Extreme test conditions: Low Temp: -10°C
 High Temp: +55°C

Test Mode	Test Frequency (MHz)	Measurement Conditions	Test Data			Max. e.i.r.p. Limit(dBm)	Conclusion
			Conducted Power (dBm)	Antenna Gain (dBi)	e.i.r.p. (dBm)		
Zigbee	2405	Normal temperature/ Normal voltage	8.52	0.5	9.02	20	PASS
	2440		8.39	0.5	8.89	20	PASS
	2480		8.50	0.5	9.00	20	PASS

Test Mode	Test Frequency (MHz)	Measurement Conditions	Test Data			Max. e.i.r.p. Limit(dBm)	Conclusion
			Conducted Power (dBm)	Antenna Gain (dBi)	e.i.r.p. (dBm)		
Zigbee	2405	Low temperature/ Normal voltage	8.32	0.5	8.82	20	PASS
	2440		8.36	0.5	8.86	20	PASS
	2480		8.34	0.5	8.84	20	PASS

Test Mode	Test Frequency (MHz)	Measurement Conditions	Test Data			Max. e.i.r.p. Limit(dBm)	Conclusion
			Conducted Power (dBm)	Antenna Gain (dBi)	e.i.r.p. (dBm)		
Zigbee	2405	High temperature/ Normal voltage	8.35	0.5	8.85	20	PASS
	2440		8.37	0.5	8.87	20	PASS
	2480		8.33	0.5	8.83	20	PASS

7.2 POWER SPECTRAL DENSITY

Test Requirement: EN300 328 V2.2.2

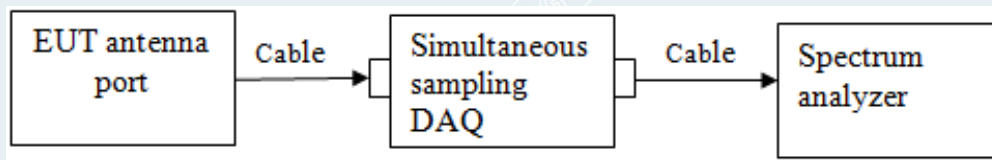
Test Method: EN300 328 V2.2.2

7.2.1 LIMIT

This requirement applies to all types of equipment using wide band modulations other than FHSS.

For equipment using wide band modulations other than FHSS, the maximum Power Spectral Density is limited to 10 dBm per MHz.

7.2.2 TEST CONFIGURATION



7.2.3 TEST PROCEDURES

Test condition: Normal test conditions

Test channel: 2405MHz,2440MHz and 2480MHz for Zigbee

Test procedure: Test procedure is according to Clause 5.4.3.2.1 of EN 300 328 V2.2.2

Remark: /

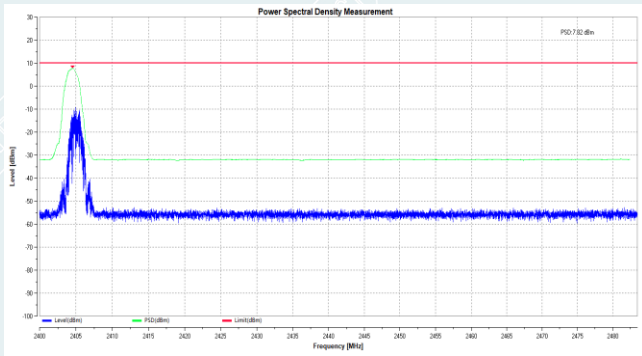
----- The following blanks -----

7.2.4 TEST RESULTS

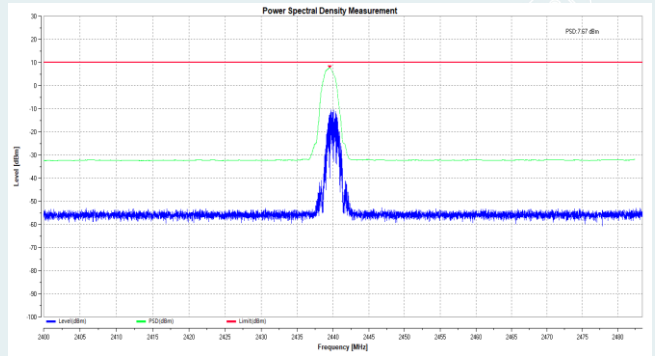
Test Date (yy-mm-dd): 2022-01-10
 Test Engineer: Lu Wei
 Test environment: Normal condition:
 Temp:23.1 °C, Humid:49%

TestMode	Antenna	Frequency [MHz]	PSD[dBm/MHz]	Limit[dBm/MHz]	Verdict
Zigbee	Ant1	2405	7.82	10	PASS
		2440	7.67	10	PASS
		2480	7.62	10	PASS

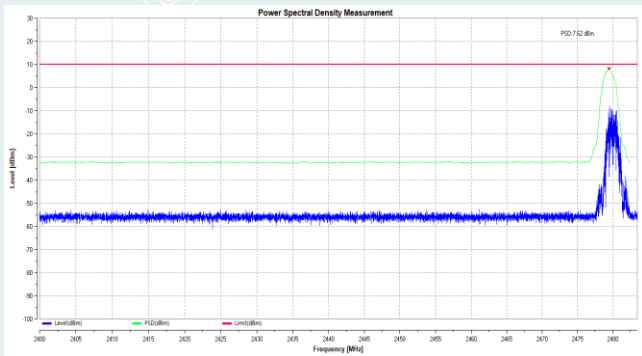
7.2.5 TEST SCREENSHOTS



Lowest Frequency: 2405MHz



Middle Frequency: 2440MHz



Highest Frequency: 2480MHz

7.3 OCCUPIED CHANNEL BANDWIDTH

Test Requirement: EN300 328 V2.2.2

Test Method: EN300 328 V2.2.2

7.3.1 LIMIT

This requirement applies to all types of non-FHSS equipment.

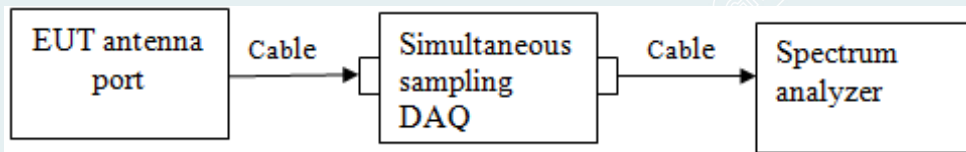
The Occupied Channel Bandwidth shall fall completely within the band given in table 2.

In addition, for non-adaptive equipment using wide band modulations other than FHSS and with e.i.r.p. greater than 10 dBm, the occupied channel bandwidth shall be less than 20 MHz.

Table 2: Service frequency bands

	Service frequency bands
Transmit	2 400 MHz to 2 483,5 MHz
Receive	2 400 MHz to 2 483,5 MHz

7.3.2 TEST CONFIGURATION



7.3.3 TEST PROCEDURES

Test condition: Normal test conditions.

Test channel: 2405MHz,2440MHz and 2480MHz for Zigbee

Test procedure: Test procedure is according to Clause 5.4.7.2.1 of EN 300 328 V2.2.2

7.3.4 TEST RESULTS

Test Date (yy-mm-dd): 2021-12-27
 Test Engineer: Lu Wei
 Test environment: Normal condition:
 Temp: 23.1 °C, Humid:49%

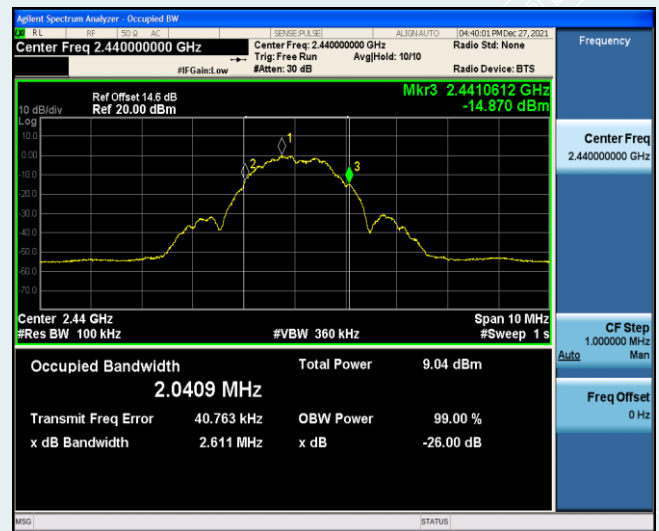
TestMode	Antenna	Frequency [MHz]	OCB[MHz]	FL[MHz]	FH[MHz]	Limit[MHz]	Verdict
Zigbee	Ant1	2405	2.0359	2404.0218	2406.0577	2400 to 2483.5	PASS
		2440	2.0409	2439.0203	2441.0612	2400 to 2483.5	PASS
		2480	2.0410	2479.0210	2481.0620	2400 to 2483.5	PASS

The unit does meet the requirements.

7.3.5 TEST SCREENSHOTS



Lowest Frequency: 2405MHz



Middle Frequency: 2440MHz



Highest Frequency: 2480MHz

7.4 TRANSMITTER UNWANTED EMISSIONS IN THE OUT-OF-BAND DOMAIN

Test Requirement: EN300 328 V2.2.2

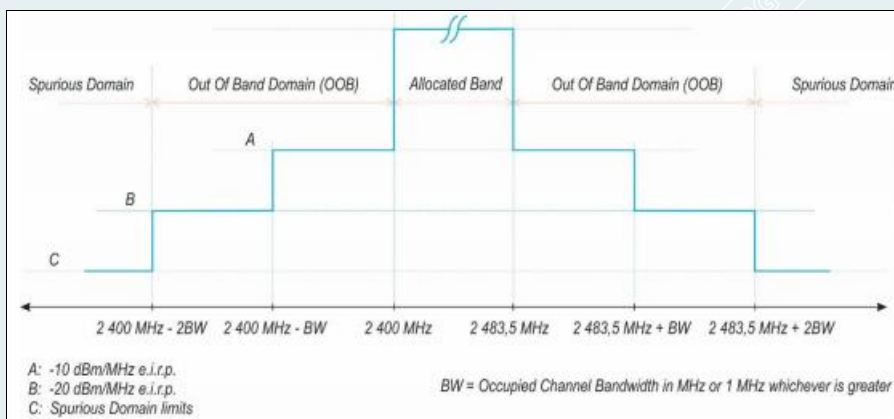
Test Method: EN300 328 V2.2.2

7.4.1 LIMIT

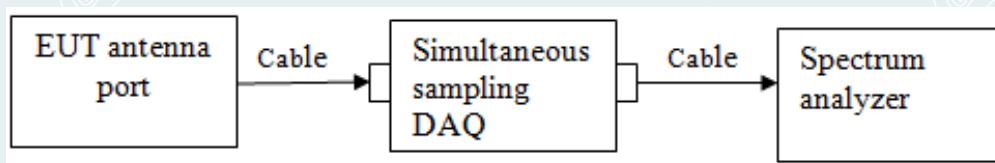
This requirement applies to all types of FHSS equipment and all types of non-FHSS equipment.

The transmitter unwanted emissions in the out-of-band domain but outside the allocated band, shall not exceed the values provided by the mask in figure 3.

The Out-of-band emissions are fulfilled by compliance with the Occupied Channel Bandwidth requirement.



7.4.2 TEST CONFIGURATION



7.4.3 TEST PROCEDURES

Test condition: Normal test conditions.

Test channel: 2405MHz,2480MHz for Zigbee

Test procedure: Test procedure is according to Clause 5.4.8.2.1 of EN 300 328 V2.2.2

7.4.4 TEST RESULTS

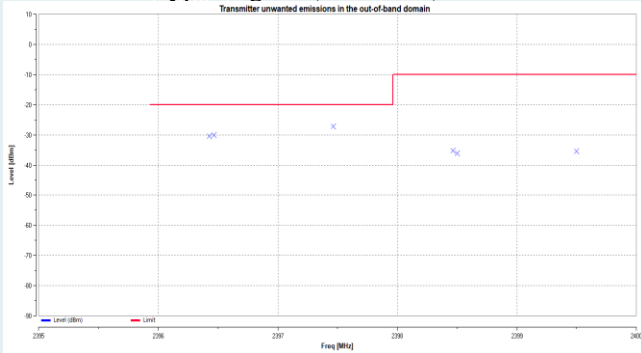
Test Date (yy-mm-dd): 2021-12-27
 Test Engineer: Lu Wei
 Test environment: Normal condition:
 Temp: 23.1°C, Humid:49%

TestMode	Antenna	Frequency [MHz]	Freq. [MHz]	Level[dBm]	Limit[dBm]	Verdict
Zigbee	Ant1	2405	2396.4282	-30.44	-20.00	PASS
			2396.4641	-30.09	-20.00	PASS
			2397.4641	-27.25	-20.00	PASS
			2398.4641	-35.21	-10.00	PASS
			2398.5	-36.07	-10.00	PASS
			2399.5	-35.36	-10.00	PASS
			2484	-45.92	-10.00	PASS
			2485	-45.97	-10.00	PASS
			2485.0359	-44.69	-10.00	PASS
			2486.0359	-46.06	-20.00	PASS
			2487.0359	-45.17	-20.00	PASS
			2487.0718	-45.42	-20.00	PASS
		2480	2396.418	-44.23	-20.00	PASS
			2396.459	-45.03	-20.00	PASS
			2397.459	-45.99	-20.00	PASS
			2398.459	-45.68	-10.00	PASS
			2398.5	-45.89	-10.00	PASS
			2399.5	-45.12	-10.00	PASS
			2484	-19.26	-10.00	PASS
			2485	-27.38	-10.00	PASS
			2485.041	-27.76	-10.00	PASS
			2486.041	-32.97	-20.00	PASS
			2487.041	-30.40	-20.00	PASS
			2487.082	-30.35	-20.00	PASS

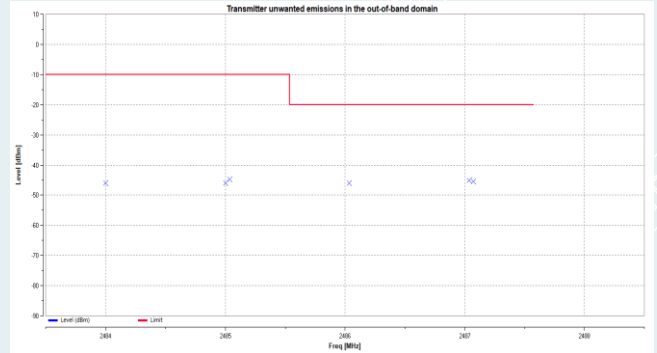
----- The following blanks -----

7.4.5 TEST SCREENSHOTS

Modulation Type: Zigbee (2405MHz)

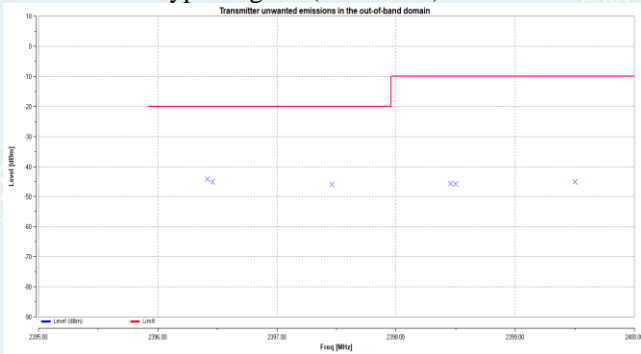


Left side of working frequency band

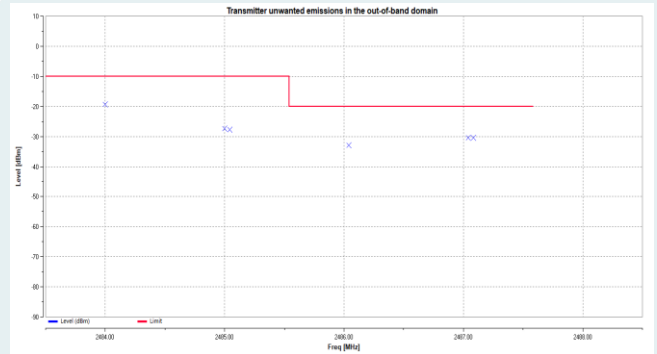


Right side of working frequency band

Modulation Type: Zigbee (2480MHz)



Left side of working frequency band



Right side of working frequency band

----- The following blanks -----

7.5 TRANSMITTER UNWANTED EMISSIONS IN THE SPURIOUS DOMAIN

Test Requirement: EN300 328 V2.2.2

Test Method: EN300 328 V2.2.2

7.5.1 LIMIT

This requirement applies to all types of non-FHSS equipment.

The transmitter unwanted emissions in the spurious domain shall not exceed the values given in table 2. In case of equipment with antenna connectors, these limits apply to emissions at the antenna port (conducted). For emissions radiated by the cabinet or emissions radiated by integral antenna equipment (without antenna connectors), these limits are e.r.p. for emissions up to 1 GHz and as e.i.r.p. for emissions above 1 GHz.

Note: This test uses conducted emissions measurement and Radiated emissions measurement.

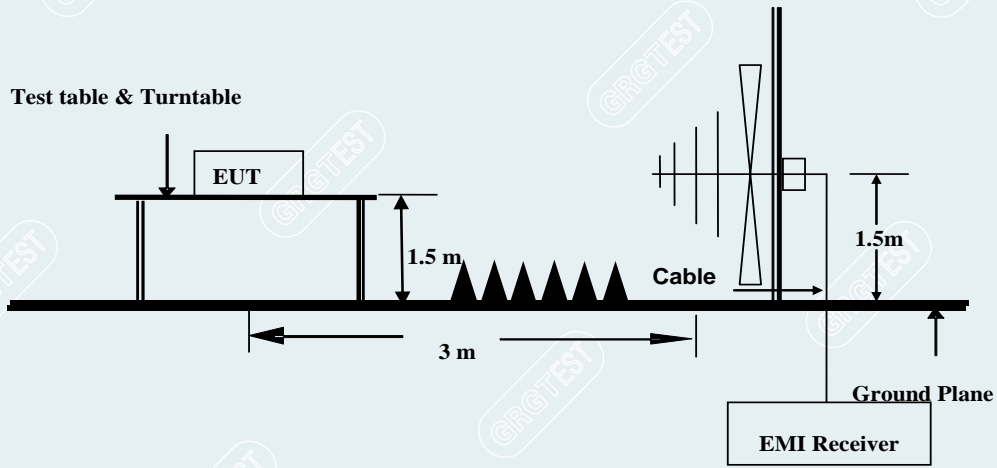
Table 2: Transmitter limits for spurious emissions

Frequency range	Maximum power	Bandwidth
30 MHz to 47 MHz	-36 dBm	100 kHz
47 MHz to 74 MHz	-54 dBm	100 kHz
74 MHz to 87,5 MHz	-36 dBm	100 kHz
87,5 MHz to 118 MHz	-54 dBm	100 kHz
118 MHz to 174 MHz	-36 dBm	100 kHz
174 MHz to 230 MHz	-54 dBm	100 kHz
230 MHz to 470 MHz	-36 dBm	100 kHz
470 MHz to 694 MHz	-54 dBm	100 kHz
694 MHz to 1 GHz	-36 dBm	100 kHz
1 GHz to 12,75 GHz	-30 dBm	1 MHz

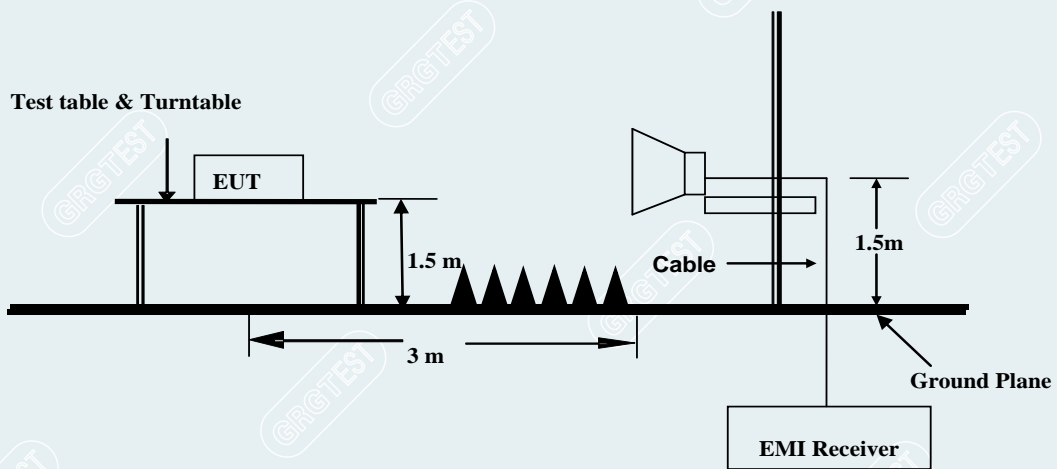
----- The following blanks -----

7.5.2 TEST CONFIGURATION

(1) 30MHz~1000MHz



(2) 1000MHz~12750MHz



7.5.3 TEST PROCEDURES

Test condition: Normal test conditions.
 Test channel: Lowest channel: (2405MHz), Highest channel: (2480MHz)
 Test procedure: Test procedure is according to Clause 5.4.9.2.2 of EN 300 328 V2.2.2
 Remark: /

7.5.4 DATA SAMPLE

Freq. [MHz]	Reading [dBm]	Level [dBm]	Limit [dBm]	Margin [dB]	Factor [dB/m]	Detector	Polarity
XXX	-49.71	-57.90	-30.00	27.90	-8.19	RMS	Horizontal

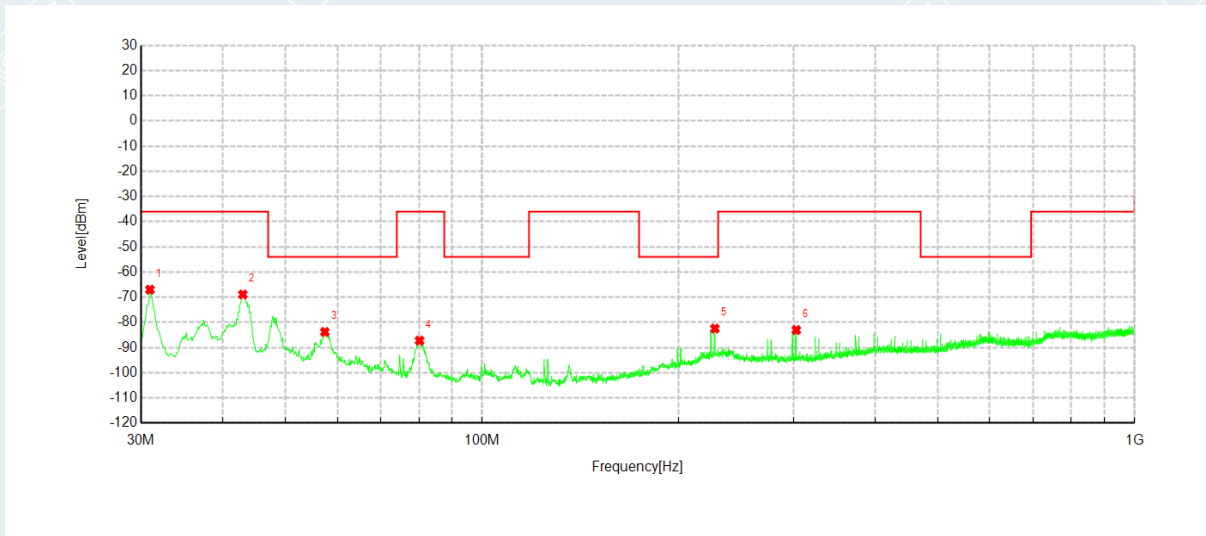
Frequency (MHz) = Emission frequency in MHz
 Reading (dBm) = Uncorrected Analyzer / Receiver reading
 Correct Factor (dB/m) = Antenna factor + Cable loss – Amplifier gain
 Result (dBm) = Reading (dBm) + Corr. Factor (dB/m)
 Limit (dBm) = Limit stated in standard
 Margin (dB) = Result (dBm) – Limit(dBm)
 RMS = Root Mean Square

----- The following blanks -----

7.5.5 TEST RESULTS

Below 1GHz

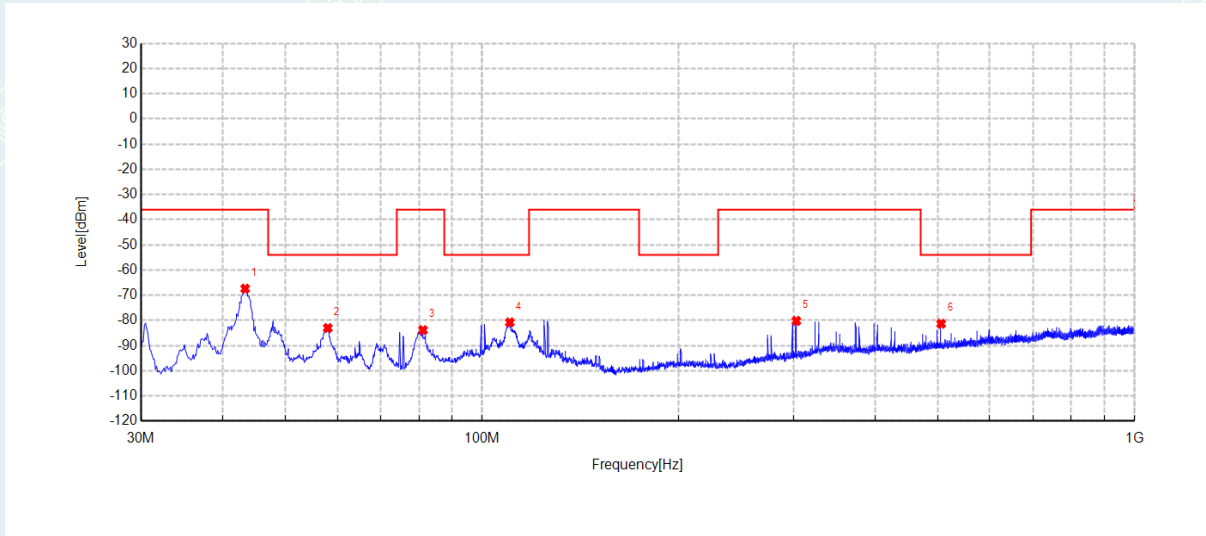
Project No	E20211222698901	EUT:	Motion Sensor P1
Model:	MS-S02	Sample No:	E20211222698901-0001
Mode:	TX Zigbee_2405MHz	Voltage:	DC 3.0V
Environment:	Temp:22.3°C; Humi:48%	Test Engineer:	Lu Qiang
Test Date:	2021-12-30	/	/



Suspected Data List

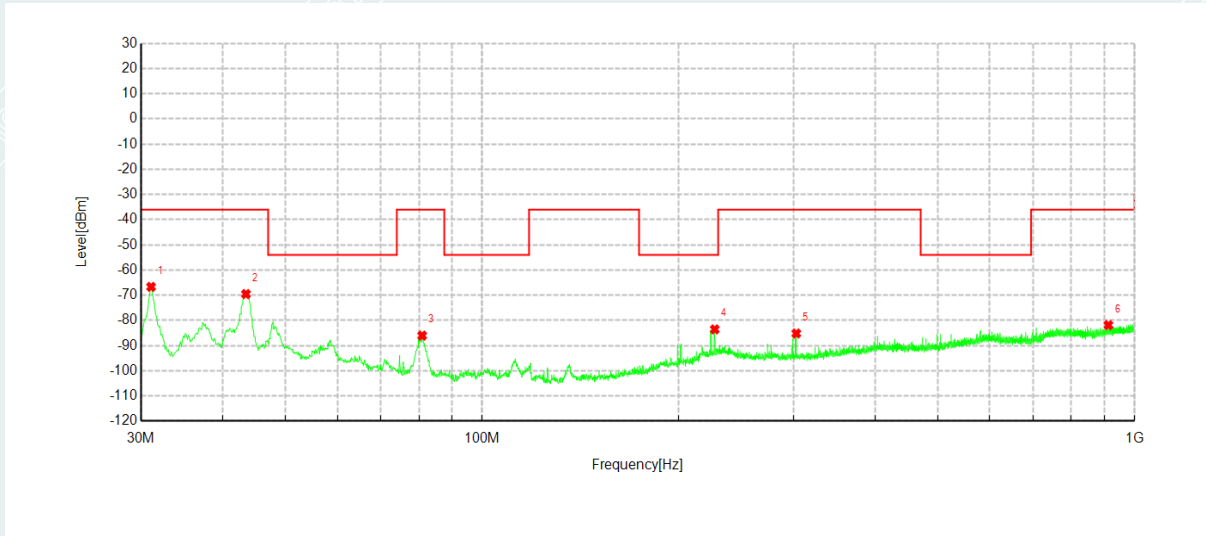
NO.	Freq. [MHz]	Reading [dBm]	Level [dBm]	Limit [dBm]	Margin [dB]	Factor [dB]	Detector	Polarity
1	30.9700	-52.38	-66.99	-36.00	30.99	-14.61	RMS	Horizontal
2	42.9738	-56.63	-68.90	-36.00	32.90	-12.27	RMS	Horizontal
3	57.4025	-68.37	-83.78	-54.00	29.78	-15.41	RMS	Horizontal
4	80.1975	-62.69	-87.21	-36.00	51.21	-24.52	RMS	Horizontal
5	227.3950	-67.89	-82.43	-54.00	28.43	-14.54	RMS	Horizontal
6	303.0550	-67.08	-83.03	-36.00	47.03	-15.95	RMS	Horizontal

Project No	E20211222698901	EUT:	Motion Sensor P1
Model:	MS-S02	Sample No:	E20211222698901-0001
Mode:	TX Zigbee_2405MHz	Voltage:	DC 3.0V
Environment:	Temp:22.3°C ; Humi:48%	Test Engineer:	Lu Qiang
Test Date:	2021-12-30	/	/



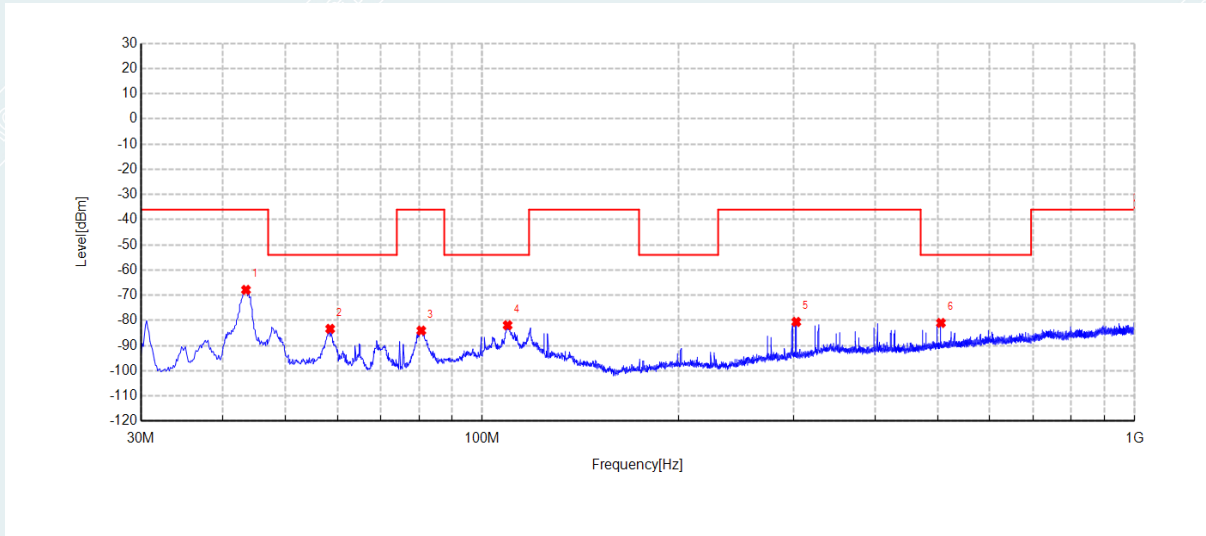
Suspected Data List								
NO.	Freq. [MHz]	Reading [dBm]	Level [dBm]	Limit [dBm]	Margin [dB]	Factor [dB]	Detector	Polarity
1	43.3375	-47.03	-67.38	-36.00	31.38	-20.35	RMS	Vertical
2	58.0088	-62.81	-83.01	-54.00	29.01	-20.20	RMS	Vertical
3	81.1675	-60.55	-83.84	-36.00	47.84	-23.29	RMS	Vertical
4	110.2675	-69.26	-80.77	-54.00	26.77	-11.51	RMS	Vertical
5	303.0550	-64.66	-80.19	-36.00	44.19	-15.53	RMS	Vertical
6	505.3000	-70.11	-81.32	-54.00	27.32	-11.21	RMS	Vertical

Project No	E20211222698901	EUT:	Motion Sensor P1
Model:	MS-S02	Sample No:	E20211222698901-0001
Mode:	TX Zigbee_2480MHz	Voltage:	DC 3.0V
Environment:	Temp:22.3°C ; Humi:48%	Test Engineer:	Lu Qiang
Test Date:	2021-12-30	/	/



Suspected Data List								
NO.	Freq. [MHz]	Reading [dBm]	Level [dBm]	Limit [dBm]	Margin [dB]	Factor [dB]	Detector	Polarity
1	31.0913	-52.10	-66.67	-36.00	30.67	-14.57	RMS	Horizontal
2	43.4588	-57.13	-69.52	-36.00	33.52	-12.39	RMS	Horizontal
3	80.9250	-61.53	-86.02	-36.00	50.02	-24.49	RMS	Horizontal
4	227.2738	-68.99	-83.55	-54.00	29.55	-14.56	RMS	Horizontal
5	303.0550	-69.22	-85.17	-36.00	49.17	-15.95	RMS	Horizontal
6	911.9725	-76.97	-81.86	-36.00	45.86	-4.89	RMS	Horizontal

Project No	E20211222698901	EUT:	Motion Sensor P1
Model:	MS-S02	Sample No:	E20211222698901-0001
Mode:	TX Zigbee_2480MHz	Voltage:	DC 3.0V
Environment:	Temp:22.3°C ; Humi:48%	Test Engineer:	Lu Qiang
Test Date:	2021-12-30	/	/



Suspected Data List								
NO.	Freq. [MHz]	Reading [dBm]	Level [dBm]	Limit [dBm]	Margin [dB]	Factor [dB]	Detector	Polarity
1	43.4588	-47.49	-67.87	-36.00	31.87	-20.38	RMS	Vertical
2	58.4938	-63.23	-83.34	-54.00	29.34	-20.11	RMS	Vertical
3	80.6825	-60.42	-84.05	-36.00	48.05	-23.63	RMS	Vertical
4	109.4188	-70.25	-81.91	-54.00	27.91	-11.66	RMS	Vertical
5	303.0550	-65.06	-80.59	-36.00	44.59	-15.53	RMS	Vertical
6	504.9363	-69.78	-81.01	-54.00	27.01	-11.23	RMS	Vertical

Above 1GHz

Project No	E20211222698901	EUT:	Motion Sensor P1
Model:	MS-S02	Sample No:	E20211222698901-0001
Mode:	TX Zigbee_2405MHz	Voltage:	DC 3.0V
Environment:	Temp:22.3℃; Humi:48%	Test Engineer:	Lu Qiang
Test Date:	2021-12-30	/	/

Suspected Data List

NO.	Freq. [MHz]	Reading [dBm]	Level [dBm]	Limit [dBm]	Margin [dB]	Factor [dB]	Detector	Polarity
1	1596.600	-46.82	-60.46	-30.00	30.46	-13.64	RMS	Horizontal
2	2990.500	-55.26	-62.23	-30.00	32.23	-6.97	RMS	Horizontal
3	4809.600	-61.80	-59.83	-30.00	29.83	1.97	RMS	Horizontal
4	7214.925	-63.02	-54.34	-30.00	24.34	8.68	RMS	Horizontal
5	10801.95	-74.29	-57.25	-30.00	27.25	17.04	RMS	Horizontal
6	12024.60	-71.41	-54.86	-30.00	24.86	16.55	RMS	Horizontal

Suspected Data List

NO.	Freq. [MHz]	Reading [dBm]	Level [dBm]	Limit [dBm]	Margin [dB]	Factor [dB]	Detector	Polarity
1	1599.400	-45.43	-58.80	-30.00	28.80	-13.37	RMS	Vertical
2	2992.700	-51.32	-58.43	-30.00	28.43	-7.11	RMS	Vertical
3	3199.875	-57.45	-62.94	-30.00	32.94	-5.49	RMS	Vertical
4	4809.600	-59.22	-57.19	-30.00	27.19	2.03	RMS	Vertical
5	6000.075	-62.60	-59.65	-30.00	29.65	2.95	RMS	Vertical
6	7214.925	-58.61	-50.00	-30.00	20.00	8.61	RMS	Vertical

Project No	E20211222698901	EUT:	Motion Sensor P1
Model:	MS-S02	Sample No:	E20211222698901-0001
Mode:	TX Zigbee_2480MHz	Voltage:	DC 3.0V
Environment:	Temp:22.3℃; Humi:48%	Test Engineer:	Lu Qiang
Test Date:	2021-12-30	/	/

Suspected Data List								
NO.	Freq. [MHz]	Reading [dBm]	Level [dBm]	Limit [dBm]	Margin [dB]	Factor [dB]	Detector	Polarity
1	1974.700	-60.45	-67.74	-30.00	37.74	-7.29	RMS	Horizontal
2	3592.800	-63.14	-65.21	-30.00	35.21	-2.07	RMS	Horizontal
3	4959.750	-59.55	-57.96	-30.00	27.96	1.59	RMS	Horizontal
4	7205.175	-69.04	-60.47	-30.00	30.47	8.57	RMS	Horizontal
5	8897.775	-71.26	-58.35	-30.00	28.35	12.91	RMS	Horizontal
6	10799.02	-74.59	-57.54	-30.00	27.54	17.05	RMS	Horizontal

Suspected Data List								
NO.	Freq. [MHz]	Reading [dBm]	Level [dBm]	Limit [dBm]	Margin [dB]	Factor [dB]	Detector	Polarity
1	1750.000	-59.43	-72.33	-30.00	42.33	-12.90	RMS	Vertical
2	3599.625	-63.93	-65.42	-30.00	35.42	-1.49	RMS	Vertical
3	4959.750	-59.99	-58.34	-30.00	28.34	1.65	RMS	Vertical
4	7235.400	-69.84	-60.45	-30.00	30.45	9.39	RMS	Vertical
5	9232.200	-71.76	-58.55	-30.00	28.55	13.21	RMS	Vertical
6	11499.07	-75.57	-56.36	-30.00	26.36	19.21	RMS	Vertical

7.6 RECEIVER SPURIOUS EMISSIONS

Test Requirement: EN300 328 V2.2.2

Test Method: EN300 328 V2.2.2

7.6.1 LIMIT

The spurious emissions of the receiver shall not exceed the values given in table 3.

In case of equipment with antenna connectors, these limits apply to emissions at the antenna port (conducted). For emissions radiated by the cabinet or for emissions radiated by integral antenna equipment (without antenna connectors), these limits are e.r.p for emissions up to 1 GHz and e.i.r.p for emissions above 1 GHz.

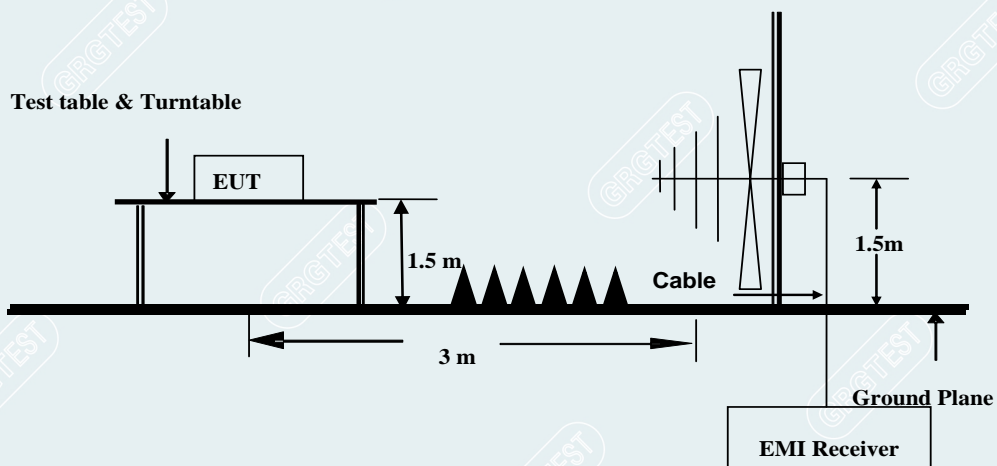
This device uses Radiated measurement.

Table 3: Spurious emission limits for receivers

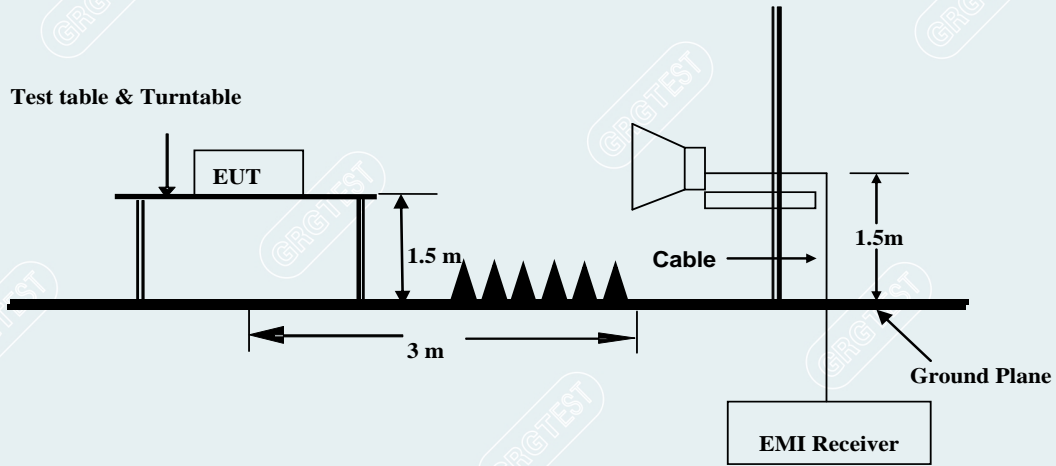
Frequency range	Maximum power	Bandwidth
30 MHz to 1 GHz	-57 dBm	100 kHz
1 GHz to 12,75 GHz	-47 dBm	1 MHz

7.6.2 TEST CONFIGURATION

(1) 30MHz-1000MHz



(2) 1000MHz-12750MHz



7.6.3 TEST PROCEDURES

- Test channel: Lowest channel: (2405MHz), Highest channel: (2480MHz)
- Test condition: Normal test conditions.
- Test procedure: Test procedure is according to Clause 5.4.10.2.2 of EN 300 328 V2.2.2
- Remark: /

7.6.4 DATA SAMPLE

Freq. [MHz]	Reading [dBm]	Level [dBm]	Limit [dBm]	Margin [dB]	Factor [dB/m]	Detector	Polarity
XXX	-58.02	-73.33	-57.00	16.33	-15.31	RMS	Horizontal

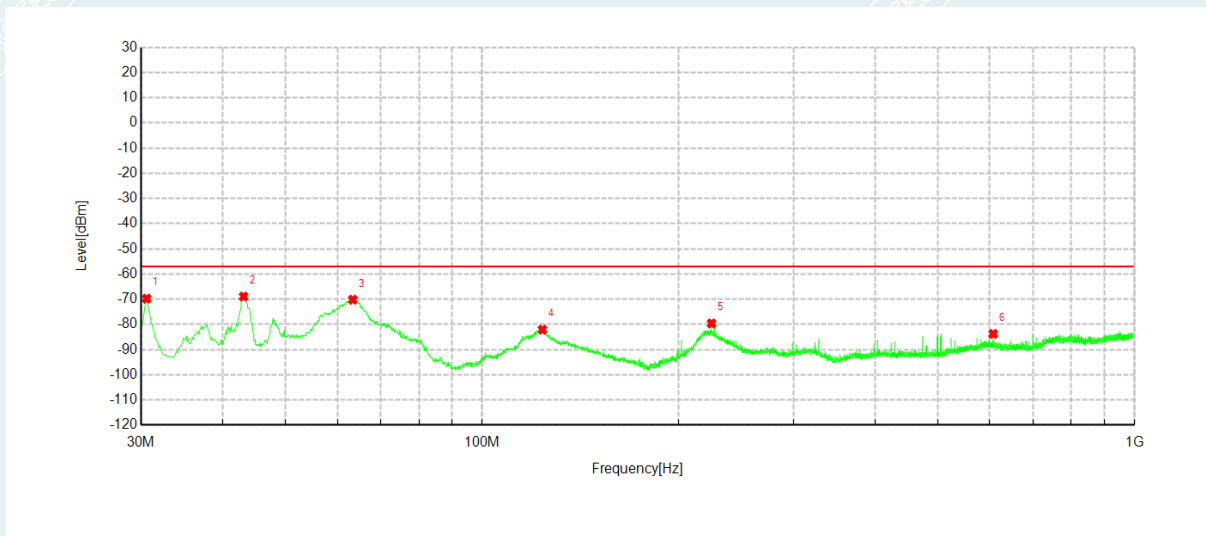
- Frequency (MHz) = Emission frequency in MHz
- Reading (dBm) = Uncorrected Analyzer / Receiver reading
- Correct Factor (dB/m) = Antenna factor + Cable loss – Amplifier gain
- Result (dBm) = Reading (dBm) + Corr. Factor (dB/m)
- Limit (dBm) = Limit stated in standard
- Margin (dB) = Result (dBm) – Limit(dBm)
- RMS = Root Mean Square

----- The following blanks -----

7.6.5 TEST RESULTS

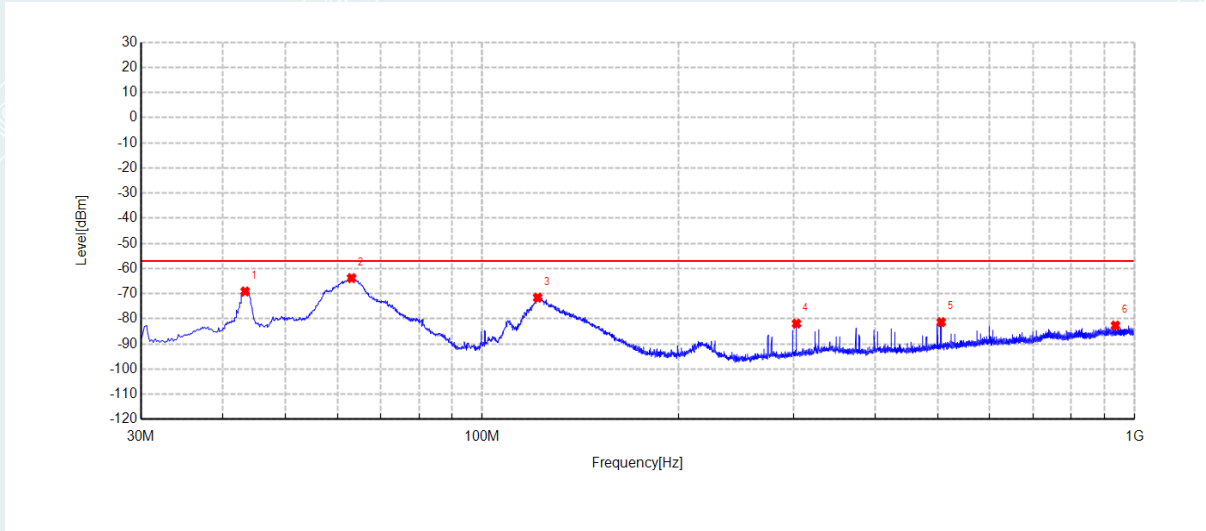
Below 1GHz

Project No	E20211222698901	EUT:	Motion Sensor P1
Model:	MS-S02	Sample No:	E20211222698901-0001
Mode:	RX Zigbee_2405MHz	Voltage:	DC 3.0V
Environment:	Temp:22.3℃; Humi:48%	Test Engineer:	Lu Qiang
Test Date:	2021-12-30	/	/



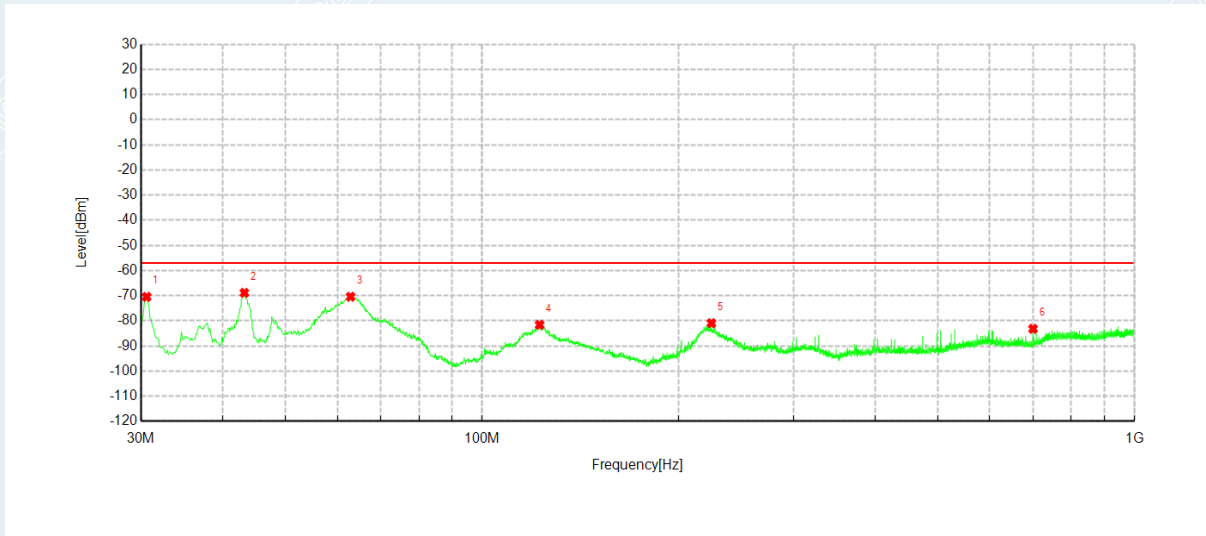
Suspected Data List								
NO.	Freq. [MHz]	Reading [dBm]	Level [dBm]	Limit [dBm]	Margin [dB]	Factor [dB]	Detector	Polarity
1	30.6063	-55.03	-69.76	-57.00	12.76	-14.73	RMS	Horizontal
2	43.0950	-56.63	-68.93	-57.00	11.93	-12.30	RMS	Horizontal
3	63.3438	-52.47	-70.19	-57.00	13.19	-17.72	RMS	Horizontal
4	123.7263	-56.63	-82.08	-57.00	25.08	-25.45	RMS	Horizontal
5	224.7275	-64.64	-79.61	-57.00	22.61	-14.97	RMS	Horizontal
6	607.2713	-75.53	-83.76	-57.00	26.76	-8.23	RMS	Horizontal

Project No	E20211222698901	EUT:	Motion Sensor P1
Model:	MS-S02	Sample No:	E20211222698901-0001
Mode:	RX Zigbee_2405MHz	Voltage:	DC 3.0V
Environment:	Temp:22.3°C ; Humi:48%	Test Engineer:	Lu Qiang
Test Date:	2021-12-30	/	/



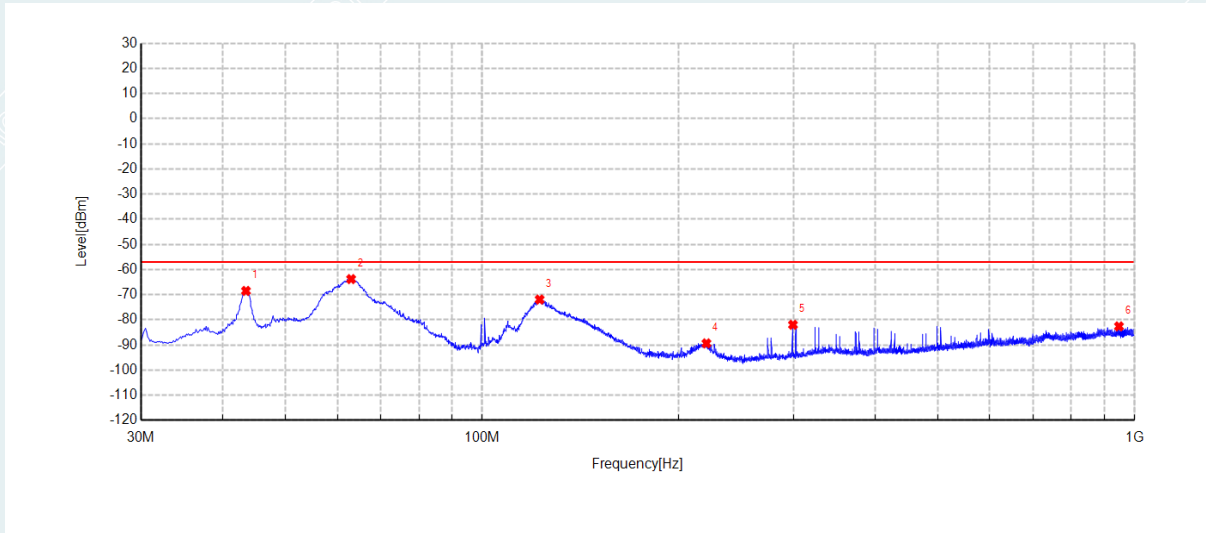
Suspected Data List								
NO.	Freq. [MHz]	Reading [dBm]	Level [dBm]	Limit [dBm]	Margin [dB]	Factor [dB]	Detector	Polarity
1	43.3375	-48.75	-69.10	-57.00	12.10	-20.35	RMS	Vertical
2	63.1013	-43.14	-63.81	-57.00	6.81	-20.67	RMS	Vertical
3	121.6650	-57.39	-71.57	-57.00	14.57	-14.18	RMS	Vertical
4	303.2975	-66.36	-81.89	-57.00	24.89	-15.53	RMS	Vertical
5	505.4213	-70.10	-81.31	-57.00	24.31	-11.21	RMS	Vertical
6	934.8888	-77.70	-82.66	-57.00	25.66	-4.96	RMS	Vertical

Project No	E20211222698901	EUT:	Motion Sensor P1
Model:	MS-S02	Sample No:	E20211222698901-0001
Mode:	RX Zigbee_2480MHz	Voltage:	DC 3.0V
Environment:	Temp:22.3°C; Humi:48%	Test Engineer:	Lu Qiang
Test Date:	2021-12-30	/	/



Suspected Data List								
NO.	Freq. [MHz]	Reading [dBm]	Level [dBm]	Limit [dBm]	Margin [dB]	Factor [dB]	Detector	Polarity
1	30.6063	-55.74	-70.47	-57.00	13.47	-14.73	RMS	Horizontal
2	43.2163	-56.53	-68.86	-57.00	11.86	-12.33	RMS	Horizontal
3	62.8588	-52.96	-70.41	-57.00	13.41	-17.45	RMS	Horizontal
4	122.5138	-56.32	-81.59	-57.00	24.59	-25.27	RMS	Horizontal
5	224.6063	-65.95	-80.94	-57.00	23.94	-14.99	RMS	Horizontal
6	698.8150	-74.15	-83.18	-57.00	26.18	-9.03	RMS	Horizontal

Project No	E20211222698901	EUT:	Motion Sensor P1
Model:	MS-S02	Sample No:	E20211222698901-0001
Mode:	RX Zigbee_2480MHz	Voltage:	DC 3.0V
Environment:	Temp:22.3 °C; Humi:48%	Test Engineer:	Lu Qiang
Test Date:	2021-12-30	/	/



Suspected Data List								
NO.	Freq. [MHz]	Reading [dBm]	Level [dBm]	Limit [dBm]	Margin [dB]	Factor [dB]	Detector	Polarity
1	43.4588	-48.11	-68.49	-57.00	11.49	-20.38	RMS	Vertical
2	62.9800	-43.16	-63.80	-57.00	6.80	-20.64	RMS	Vertical
3	122.5138	-57.39	-71.93	-57.00	14.93	-14.54	RMS	Vertical
4	220.7263	-69.70	-89.36	-57.00	32.36	-19.66	RMS	Vertical
5	299.5388	-66.42	-81.97	-57.00	24.97	-15.55	RMS	Vertical
6	946.6500	-77.97	-82.60	-57.00	25.60	-4.63	RMS	Vertical

Above 1GHz

Project No	E20211222698901	EUT:	Motion Sensor P1
Model:	MS-S02	Sample No:	E20211222698901-0001
Mode:	RX Zigbee_2405MHz	Voltage:	DC 3.0V
Environment:	Temp:22.3℃; Humi:48%	Test Engineer:	Lu Qiang
Test Date:	2021-12-30	/	/

Suspected Data List

NO.	Freq. [MHz]	Reading [dBm]	Level [dBm]	Limit [dBm]	Margin [dB]	Factor [dB]	Detector	Polarity
1	1115.624	-59.42	-72.69	-47.00	25.69	-13.27	RMS	Horizontal
2	2196.197	-60.78	-69.64	-47.00	22.64	-8.86	RMS	Horizontal
3	3035.651	-62.35	-69.76	-47.00	22.76	-7.41	RMS	Horizontal
4	3698.848	-62.30	-64.86	-47.00	17.86	-2.56	RMS	Horizontal
5	7146.435	-67.41	-59.04	-47.00	12.04	8.37	RMS	Horizontal
6	10798.95	-73.45	-56.36	-47.00	9.36	17.09	RMS	Horizontal

Suspected Data List

NO.	Freq. [MHz]	Reading [dBm]	Level [dBm]	Limit [dBm]	Margin [dB]	Factor [dB]	Detector	Polarity
1	1073.793	-59.01	-73.20	-47.00	26.20	-14.19	RMS	Vertical
2	1849.324	-62.70	-71.98	-47.00	24.98	-9.28	RMS	Vertical
3	2565.632	-56.85	-66.31	-47.00	19.31	-9.46	RMS	Vertical
4	4600.344	-64.45	-63.72	-47.00	16.72	0.73	RMS	Vertical
5	7255.480	-68.16	-59.20	-47.00	12.20	8.96	RMS	Vertical
6	8905.246	-69.91	-56.61	-47.00	9.61	13.30	RMS	Vertical

Project No	E20211222698901	EUT:	Motion Sensor P1
Model:	MS-S02	Sample No:	E20211222698901-0001
Mode:	RX Zigbee_2480MHz	Voltage:	DC 3.0V
Environment:	Temp:22.3℃; Humi:48%	Test Engineer:	Lu Qiang
Test Date:	2021-12-30	/	/

Suspected Data List

NO.	Freq. [MHz]	Reading [dBm]	Level [dBm]	Limit [dBm]	Margin [dB]	Factor [dB]	Detector	Polarity
1	1000.940	-59.44	-71.43	-47.00	24.43	-11.99	RMS	Horizontal
2	1929.227	-61.06	-69.55	-47.00	22.55	-8.49	RMS	Horizontal
3	3697.437	-61.76	-64.37	-47.00	17.37	-2.61	RMS	Horizontal
4	4723.018	-65.61	-63.81	-47.00	16.81	1.80	RMS	Horizontal
5	7141.735	-67.75	-59.46	-47.00	12.46	8.29	RMS	Horizontal
6	8667.416	-69.90	-58.25	-47.00	11.25	11.65	RMS	Horizontal

Suspected Data List

NO.	Freq. [MHz]	Reading [dBm]	Level [dBm]	Limit [dBm]	Margin [dB]	Factor [dB]	Detector	Polarity
1	1000.000	-59.71	-70.74	-47.00	23.74	-11.03	RMS	Vertical
2	1383.065	-60.54	-73.17	-47.00	26.17	-12.63	RMS	Vertical
3	1892.565	-60.98	-71.39	-47.00	24.39	-10.41	RMS	Vertical
4	3695.557	-61.67	-64.71	-47.00	17.71	-3.04	RMS	Vertical
5	6595.573	-67.54	-62.30	-47.00	15.30	5.24	RMS	Vertical
6	8897.725	-70.11	-56.72	-47.00	9.72	13.39	RMS	Vertical

7.7 RECEIVER BLOCKING

Test Requirement: EN300 328 V2.2.2

Test Method: EN300 328 V2.2.2

7.7.1 LIMIT

For equipment that supports a PER or FER test to be performed, the minimum performance criterion shall be a PER or FER less than or equal to 10 %.

For equipment that does not support a PER or a FER test to be performed, the minimum performance criterion shall be no loss of the wireless transmission function needed for the intended use of the equipment.

The blocking levels at specified frequency offsets shall be equal to or greater than the limits defined for.

Receiver Blocking parameters for Receiver Category 1 equipment

Wanted signal mean power from companion device (dBm) (see notes 1 and 4)	Blocking Signal frequency (MHz)	Blocking signal power (dBm) (see note 4)	Type of blocking signal
$(-133\text{dBm} + 10 \times \log_{10}(\text{OCBW}))$ or -68dBm whichever is less (see note 2)	2380 2504	-34	CW
$(-139\text{dBm} + 10 \times \log_{10}(\text{OCBW}))$ or -74dBm whichever is less (see note 3)	2300 2330 2360 2524 2584 2674		
<p>NOTE 1: OCBW is in Hz.</p> <p>NOTE 2: In case of radiated measurements using a companion device and the level of the wanted signal from the companion device cannot be determined, a relative test may be performed using a wanted signal up to $P_{\min} + 26$ dB where P_{\min} is the minimum level of wanted signal required to meet the minimum performance criteria as defined in clause 4.3.1.12.3 in the absence of any blocking signal.</p> <p>NOTE 3: In case of radiated measurements using a companion device and the level of the wanted signal from the companion device cannot be determined, a relative test may be performed using a wanted signal up to $P_{\min} + 20$ dB where P_{\min} is the minimum level of wanted signal required to meet the minimum performance criteria as defined in clause 4.3.1.12.3 in the absence of any blocking signal.</p> <p>NOTE 4: The level specified is the level at the UUT receiver input assuming a 0 dBi antenna assembly gain. In case of conducted measurements, this level has to be corrected for the (in-band) antenna assembly gain (G). In case of radiated measurements, this level is equivalent to a power flux density (PFD) in front of the UUT antenna with the UUT being configured positioned as recorded in clause 5.4.3.2.2.</p>			

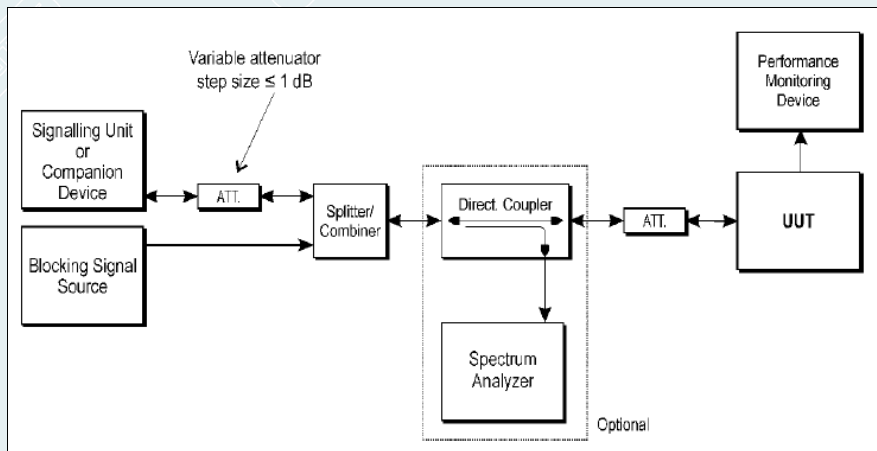
Receiver Blocking parameters for Receiver Category 2 equipment

Wanted signal mean power from companion device (dBm) (see notes 1 and 3)	Blocking Signal frequency (MHz)	Blocking signal power (dBm) (see note 3)	Type of blocking signal
$(-139\text{dBm} + 10 \times \log_{10}(\text{OCBW}) + 10\text{dBm})$ or $(-74\text{dBm} + 10\text{dBm})$ whichever is less (see note 2)	2380 2504 2300 2584	-34	CW
NOTE 1: OCBW is in Hz. NOTE 2: In case of radiated measurements using a companion device and the level of the wanted signal from the companion device cannot be determined, a relative test may be performed using a wanted signal up to $P_{\min} + 26$ dB where P_{\min} is the minimum level of wanted signal required to meet the minimum performance criteria as defined in clause 4.3.1.12.3 in the absence of any blocking signal. NOTE 3: The level specified is the level at the UUT receiver input assuming a 0 dBi antenna assembly gain. In case of conducted measurements, this level has to be corrected for the (in-band) antenna assembly gain (G). In case of radiated measurements, this level is equivalent to a power flux density (PFD) in front of the UUT antenna with the UUT being configured/positioned as recorded in clause 5.4.3.2.2.			

Receiver Blocking parameters for Receiver Category 3 equipment

Wanted signal mean power from companion device (dBm) (see notes 1 and 3)	Blocking Signal frequency (MHz)	Blocking signal power (dBm) (see note 3)	Type of blocking signal
$(-139\text{dBm} + 10 \times \log_{10}(\text{OCBW}) + 20\text{dBm})$ or $(-74\text{dBm} + 20\text{dBm})$ whichever is less (see note 2)	2380 2504 2300 2584	-34	CW
NOTE 1: OCBW is in Hz. NOTE 2: In case of radiated measurements using a companion device and the level of the wanted signal from the companion device cannot be determined, a relative test may be performed using a wanted signal up to $P_{\min} + 30$ dB where P_{\min} is the minimum level of wanted signal required to meet the minimum performance criteria as defined in clause 4.3.1.12.3 in the absence of any blocking signal. NOTE 3: The level specified is the level at the UUT receiver input assuming a 0 dBi antenna assembly gain. In case of conducted measurements, this level has to be corrected for the (in-band) antenna assembly gain (G). In case of radiated measurements, this level is equivalent to a power flux density (PFD) in front of the UUT antenna with the UUT being configured/positioned as recorded in clause 5.4.3.2.2.			

7.7.2 TEST CONFIGURATION



7.7.3 TEST PROCEDURES

Test condition: Keep the EUT on the lowest and Highest channel working mode.

Test procedure: Step 1:

Test condition: For non-FHSS equipment, the UUT shall be set to the lowest operating channel on which the blocking test has to be performed (see clause 5.4.11.1).

Step 2:

The blocking signal generator is set to the first frequency as defined in the appropriate table corresponding to the receiver category and type of equipment.

Step 3:

With the blocking signal generator switched off, a communication link is established between the UUT and the associated companion device using the test setup shown in figure 6.

Unless the option provided in note 2 of the applicable table referred to in clause 5.4.11.2.1 is used, the level of the wanted signal shall be set to the value provided in the table corresponding to the receiver category and type of equipment. The test procedure defined in clause 5.4.2, and more in particular clause 5.4.2.2.1.2, can be used to measure the (conducted) level of the wanted signal however no correction shall be made for antenna gain of

the companion device (step 6 in clause 5.4.2.2.1.2 shall be ignored). This level may be measured directly at the output of the companion device and a correction is made for the coupling loss into the UUT. The actual level for the wanted signal shall be recorded in the test report.

When the option provided in note 2 of the applicable table referred to in clause 5.4.11.2.1 is used, the attenuation of the variable attenuator shall be increased in 1 dB steps to a value at which the minimum performance criteria as specified in clause 4.3.1.12.3 or clause 4.3.2.11.3 is still met. The resulting level for the wanted signal at the input of the UUT is P_{min} . This signal level (P_{min}) is increased by the value provided in note 2 of the applicable table corresponding to the receiver category and type of equipment.

Step 4:

The blocking signal at the UUT is set to the level provided in the table corresponding to the receiver category and type of equipment.

If the performance criteria as specified in clause 4.3.1.12.3 or clause 4.3.2.11.3 are met then proceed to step 6.

Step 5:

If the performance criteria as specified in clause 4.3.1.12.3 or clause 4.3.2.11.3 is not met, step 3 and step 4 shall be repeated after that the frequency of the blocking signal set in step 2 has been increased with a value equal to the Occupied Channel Bandwidth except:

- For the blocking frequency 2 380 MHz, where this frequency offset shall be less than or equal to 10 MHz. If this frequency offset is more than 7 MHz, the level of the wanted

signal shall be increased by 3 dB.

- For the blocking frequency 2 503,5 MHz, where this frequency offset shall be less than or equal to 10 MHz. If this frequency offset is more than 7 MHz, the level of the wanted signal shall be decreased by 3 dB.

If the performance criteria as specified in clause 4.3.1.12.3 or clause 4.3.2.11.3 is still not met, step 3 and step 4 shall be repeated after that the frequency of the blocking signal set in step 2 has been decreased with a value equal to the Occupied Channel Bandwidth except:

- For the blocking frequency 2 380 MHz, where this frequency offset shall be less than or equal to 10 MHz. If this frequency offset is more than 7 MHz, the level of the wanted signal shall be decreased by 3 dB.

- For the blocking frequency 2 503,5 MHz, where this frequency offset shall be less than or equal to 10 MHz. If this frequency offset is more than 7 MHz, the level of the wanted signal shall be increased by 3 dB.

If the performance criteria as specified in clause 4.3.1.12.3 or clause 4.3.2.11.3 is still not met, the UUT fails to comply with the Receiver Blocking requirement and step 6 and step 7 are no longer required.

It shall be recorded in the test report whether the shift of blocking frequencies as described in the present step was used.

Step 6:

Repeat step 4 and step 5 for each remaining combination of frequency and level for the blocking signal as provided in the table corresponding to the receiver category and type of equipment.

Step 7

For non-FHSS equipment, repeat step 2 to step 6 with the UUT operating at the Highest operating channel on which the blocking test has to be performed (see clause 5.4.11.1).

Step 8

It shall be assessed and recorded in the test report whether the UUT complies with the Receiver Blocking requirement.

Keep the EUT on the lowest and Highest channel working mode.

If the equipment can be configured to operate with different Nominal Channel

Bandwidths (e.g. 20 MHz and 40 MHz) and different data rates, then the combination of the smallest channel bandwidth and the lowest data rate for this channel bandwidth which still allows the equipment to operate as intended shall be used.

Remark:

Test channel:

Lowest channel: (2405MHz), Highest channel: (2480MHz)

7.7.4 TEST RESULTS

Test Date (yy-mm-dd): 2022-01-10
 Test Engineer: Lu Wei
 Test environment: Normal condition:
 Temp: 23.1°C, Humid:49%

Receiver Blocking							
Receiver Category 2							
Test Mode	Frequency (MHz)	Wanted signal (dBm)	Blocking signal frequency (MHz)	Blocking signal power (dBm)	PER(%)	limit(%)	Test Result
Zigbee	2405	-65.41	2300	-33.5	0	≤10	PASS
			2380		0	≤10	PASS
	2480		2504		0	≤10	PASS
	2584		0		≤10	PASS	

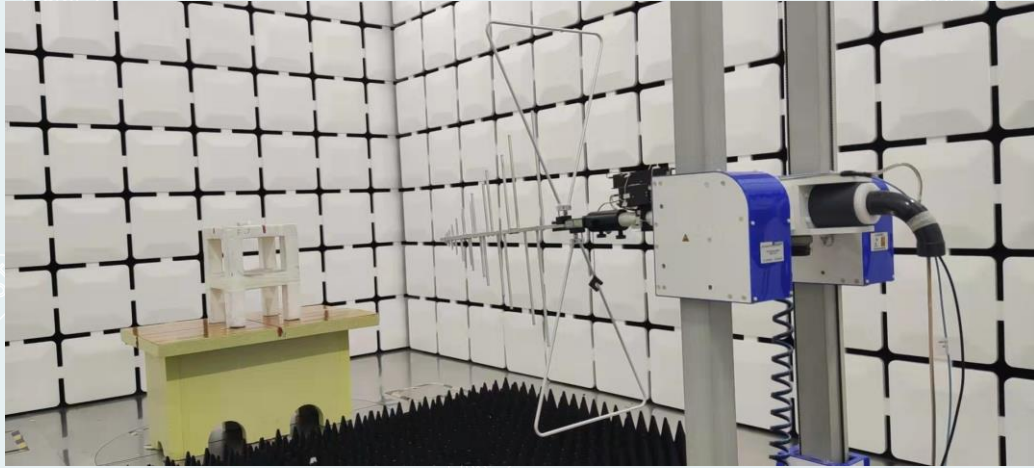
Note: The Blocking signal power=-34(dBm)+Gain(0.5dBi)

----- The following blanks -----

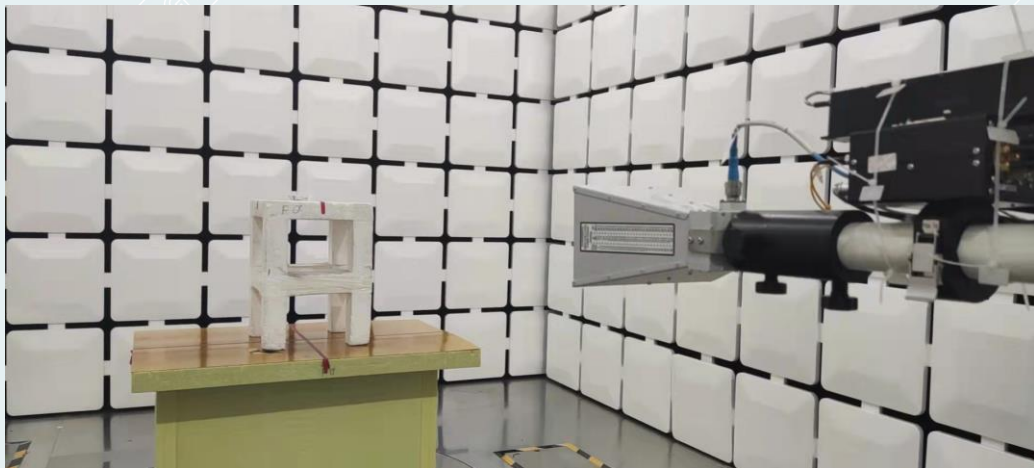


APPENDIX A. PHOTOGRAPH OF THE TEST CONNECTION DIAGRAM

Below 1GHz



Above 1GHz



ROLOGY &
TEST
VED(03)

APPENDIX B. PHOTOGRAPH OF THE EUT

Please refer to the attached document E20211222698901-1-EUT Photo.

----- End of Report -----

