



SHENZHEN FENDA TECHNOLOGY CO.,LTD.GUANGDONG,PRC
 ADD: Fenda Hi-Tech Park, Zhoushi Road, Shiyao, Baoan, Shenzhen, Guangdong, PRC
 Tel: +86-755-27486661 (600 line) Fax: +86-755-27486663 P.C.: 518108

F&D WARRANTY CARD
END-USER'S COPY
WARRANTY REGISTRATION CERTIFICATE

Mr./Mrs/Ms First Name: _____
 Last Name: _____
 Address: _____
 Contact No.: _____
 Product Name: _____
 Model No.: _____
 Serial No.: _____
 Date Purchased: _____
 Invoice No.: _____
 Retail Outlet Where Purchased: _____

(Please print the name & address)

SECTION 1

WARRANTY TERMS & CONDITIONS

The warranty will be effective only if the warranty card is completed and returned to the company within 14 days from the date of purchase. We guarantee the provision of free services of **F&D** product within the warranty period from its date of purchase from our Authorised Dealer. The period and conditions of our warranty service are as follow:
 1. The warranty covers services by our **F&D** Authorised Dealer. This warranty card together with the receipt must be presented when servicing is required. This warranty card is irreplaceable in the event of loss.
 2. Repair services will be provided for defects arising from normal usage for the following period, commencing from the date of purchase from our **F&D** Authorised Dealer. (Parts would be replaced when necessary)
 A. Parts:..... 1 year
 B. Technical service free..... 1 year
 3. Under the following circumstances, service and parts will be chargeable even within the warranty period:
 A. Failure to present the warranty card and receipt when servicing is required. Full particulars not clearly shown or alterations made against the actual information. For e.g.: Alteration of the date of purchase, serial numbers-altered or removed.
 B. This unit being tampered with, altered in any way by any unauthorised technicians or which has been subjected to misuse, negligence or accident. This guarantee does not cover damage occurring in transit by or from the customer.
 C. The defect is caused by the attack of household pests, fire, lighting, natural disasters, pollution, abnormal voltage or the usage of generator.
 Shenzhen Fenda Technology Co., Ltd.
 Add: Fenda Hi-Tech Park, Zhoushi Road, Shiyao, Baoan, Shenzhen, China
 P.C.: 518108 Http://www.fenda.com

F&D WARRANTY CARD
DISTRIBUTOR'S COPY
WARRANTY REGISTRATION CERTIFICATE

Mr./Mrs/Ms First Name: _____
 Last Name: _____
 Address: _____
 Contact No.: _____
 Product Name: _____
 Model No.: _____
 Serial No.: _____
 Date Purchased: _____
 Invoice No.: _____
 Retail Outlet Where Purchased: _____

(Please print the name & address)

SECTION 2

WARRANTY TERMS & CONDITIONS

The warranty will be effective only if the warranty card is completed and returned to the company within 14 days from the date of purchase. We guarantee the provision of free services of **F&D** product within the warranty period from its date of purchase from our Authorised Dealer. The period and conditions of our warranty service are as follow:
 1. The warranty covers services by our **F&D** Authorised Dealer. This warranty card together with the receipt must be presented when servicing is required. This warranty card is irreplaceable in the event of loss.
 2. Repair services will be provided for defects arising from normal usage for the following period, commencing from the date of purchase from our **F&D** Authorised Dealer. (Parts would be replaced when necessary)
 A. Parts:..... 1 year
 B. Technical service free..... 1 year
 3. Under the following circumstances, service and parts will be chargeable even within the warranty period:
 A. Failure to present the warranty card and receipt when servicing is required. Full particulars not clearly shown or alterations made against the actual information. For e.g.: Alteration of the date of purchase, serial numbers-altered or removed.
 B. This unit being tampered with, altered in any way by any unauthorised technicians or which has been subjected to misuse, negligence or accident. This guarantee does not cover damage occurring in transit by or from the customer.
 C. The defect is caused by the attack of household pests, fire, lighting, natural disasters, pollution, abnormal voltage or the usage of generator.
 Shenzhen Fenda Technology Co., Ltd.
 Add: Fenda Hi-Tech Park, Zhoushi Road, Shiyao, Baoan, Shenzhen, China
 P.C.: 518108 Http://www.fenda.com



F670X User Manual

2.1 Computer Multimedia Speaker

1



CAUTION

- Do not place the system in the high-temp and humid environment, prevent it from raining or rough handling and strong shock.
- In order to avoid electric shock and other accidents, do not open the right side panel cover for repair without any professional guidance.
- In case fragments or other liquids are accidentally sprinkled inside the cabinet, please switch off the power immediately in case of repair. Please come to the professional maintenance for help.
- Switch off the power and take off the plug from the power jack when the system is not on work.
- Keep it safe from water drops or splashing water, and no liquid container allowed to be put on its top side.
- Keep the cabinet vent far from the wall by 20mm at least and the air vent should not be blocked.
- Do not keep it close to the fire.

FEATURES

- 40W subwoofer, powerful bass
- Smart LED display, colorful RBG lighting effect
- Supports Bluetooth, AUX, USB, COXIAL audio input at the same time

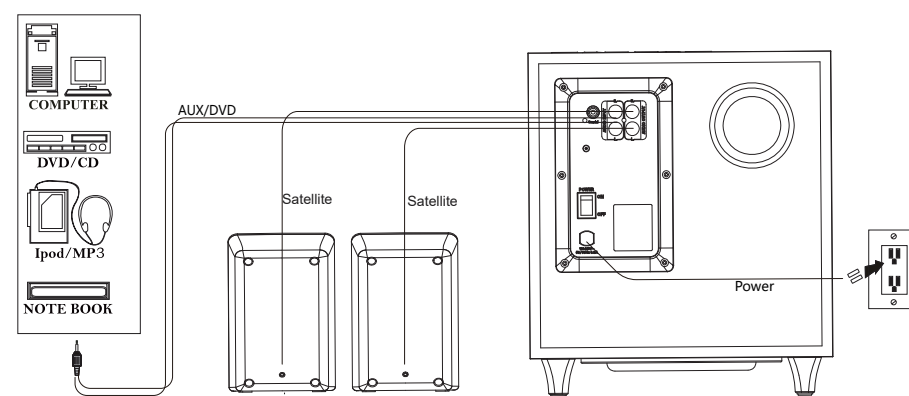
SYSTEM COMPOSITION

- Subwoofer unit 1pc
- Satellite speakers 2pcs
- Remote control 1pc
- Operation manual 1pc
- 3.5mm to RCA stereo cable 1pc
- AAA Battery 2pcs



INSTALLATION GUIDE: (See the below guiding pictures)

- Connect the satellite speaker cable to the output port of subwoofer in respective color port
- Insert Input signal cable(RCA Socket) into subwoofer input port and the other end with output port of your Audio/Video system in respective color port.

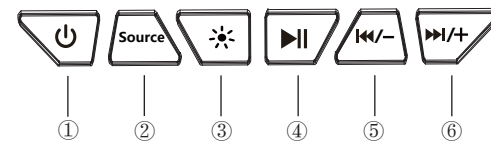


3



Front panel keys

- Standby button
- Source button
- Light button
- Play/pause/Bluetooth button
- Previous button and volume decrease
- Next button and Volume increase



Function of Panel keys

- Turn ON/OFF unit.
- Short press to select Bluetooth/Coaxial/USB/AUX input of different audio sources in turn.
- Short press to turn on/off lighting effects or select multiple lighting effects.
- USB/Bluetooth mode: short press to play/pause.
Bluetooth mode: long press to enter Bluetooth pairing mode.
- Short press to decrease volume.
USB/Bluetooth mode: long press to switch to the previous song.
- Short press to increase volume.
USB/Bluetooth mode: long press to switch to the next song.

4



Remote control

- Turn ON/OFF unit.
- Press it to mute or unmute the sound.
- Bass-/Bass+ Short press to decrease/increase bass volume.
- Master volume +/- Short press to increase or decrease master volume.
- Previous song
USB mode: short press to select the previous song, long press to select the previous file.
Bluetooth mode: short press to select the previous song.
- Next song
USB mode: short press to select the next song, long press to select the next file.
Bluetooth mode: short press to select the next song.
- USB/Bluetooth mode: short press to play/pause music.
- TRE-/TRE+ Short press to decrease/increase treble volume.
- Light button: Short press to turn on/off lighting effects or select multiple lighting effect.
- Source: Short press to select Bluetooth/Coaxial/USB/AUX input of different audio.
- Bluetooth pairing mode: short press to switch to Bluetooth mode. Long press to enter the Bluetooth pairing mode, search for the Bluetooth name "Fenda F670X".
- 0-number: USB mode: Press the number keys 0-9, The display will show the corresponding song number, and automatically choose to the corresponding song by default after 3 seconds.

Notice: Compatible with Smartphones and tablets supporting Bluetooth (A2DP) protocol

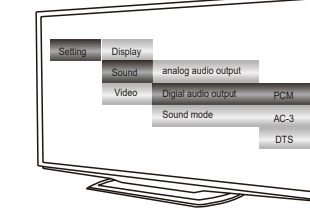


5



Coaxial Mode

- Short press to switch audio source to coaxial mode. Connect the speaker with audio source through coaxial cable.
- please make sure to set "PCM mode" as digital output on your devices, such as Blue-ray DVD, TV and Video player, etc. Below as example.
- Adjust volume while playing music.



Bluetooth Mode

- Bluetooth connection operation instructions:
Short press **[Bluetooth]** to switch to Bluetooth mode, search for the Bluetooth name "Fenda F670X". After the connection is successful can be play music.
- Connect two devices at the same time to play music:
a. Connect one Bluetooth device(According to step 1).
b. Long press the Bluetooth speaker pairing button to disconnect and enter the pairing state, and the other Bluetooth device can be search and connect speakers. At this time, the two devices connected to "Fenda F670X" at the same time.
c. After the connection is successful. Users can choose any one to play music according to their needs.

6



Specifications

Output power : 70W(40W+15W*2)
speaker unit
 Full Range speaker : 3.5"
 Subwoofer : 6.5"
Frequency response
 Subwoofer : 35Hz-140Hz
 Satellite : 200Hz-20KHz

S/N Ratio : >70dB
 Separation : >40dB
 Net weight : 4.2Kg
 Power supply : 100-240V~50/60Hz 0.3A
Unit size
 Subwoofer : W252XD272XH282MM
 Satellite : W115XD118XH205MM

Troubleshooting

Problem	Possible Cause	Solution
F&D system does not turn on	Power cable not connected to the power outlet and/or F&D System	Check connection
Sound reproduction too soft	Volume of F&D System set too low	Increase the volume using the "Volume" button, increase the volume of the source device
F&D System does not respond to remote control.	The battery is empty	Replace battery, observe correct polarity at insertion
No sound reproduction	Source device not producing any signal.	Digital output on the source device not activated
	Cable not correctly connected/faulty cable.	Check the connection of the source devices to the F&D System and change the cable if necessary.
Speaker can not connect to desktop or notebook through Bluetooth	Distance is far from device in Bluetooth mode	Put your Bluetooth device close to the speaker
	Bluetooth device not connected successfully	Please restart the speaker and try again
Speaker can not connect to desktop or notebook through Bluetooth	No right Bluetooth driver software installed in desktop or notebook	Find desktop or notebook service to get right Bluetooth driver software and install